

WINGLIKE ELECTRONICS CO.,LTD

SPECIFICATION FOR APPROVAL

AC/DC ADAPTOR

CUSTOMER:

CUSTOMER SPECS INPUT: 100-240V AC 50-60HZ , 5V/2A ADAPTOR

OUR MODEL NO.: GM-050200 (UL) E321192

SPECIFICATION NO.: WL1105102

PRODUCT NO.:

SAMPLE NO.: S38657

COLOUR: BLACK

DATE: 2011-05-27

APPROVED SIGNATURES		
APPROVED BY	CHECKED BY	TESTED BY

PLEASE RETURN TO US ONE COPY OF “SPECIFICATION FOR APPROVAL” WITH YOUR APPROVED SIGNATURE

ADD: 5F,MINGZHUO BLDG ,MEILONG RD ,MINZHI, LONGHUA, SHENZHEN, CHINA
FACTORY: XICHONG INDUSTRIAL AREA ,LUNJIAO, SHUNDE, FOSHAN, GUANGDONG
TEL: +86 0755 83725858 FAX:+86 0755 81752841

TABLE OF CONTENTS

1. SCOPE.....	3
2. INPUT CHARACTERISTICS.....	3
2.1 input voltage	
2.2 input frequency	
2.3 input current	
2.4 inrush current	
2.5 Ac leakage current	
3. OUTPUT CHARACTERISTICS.....	3
3.1 power output	
3.2 combined load/line regulation	
3.3 Ripple and noise	
3.4 turn on delay time	
3.5 rise time	
3.6 hold up time	
3.7 efficiency	
3.8 overshoot	
4. PROTECTION REQUIREMENT.....	4
4.1 short circuit protection	
4.2 over current protection	
4.3 over voltage protection	
5. ENVIRONMENTAL REQUIREMENT.....	4
5.1 operating temperature	
5.2 storage temperature	
5.3 relative humidity	
5.4 vibration	
5.5 dropping packed	
6. EMC SAFETY AND EMI REQUIREMENT.....	5
6.1 safety comply	
6.2 dielectric strength	
7. MECHANICAL REQUIREMENT.....	5
7.1 enclosure	
7.2 input connector	
7.3 DC cable	
8. LABEL.....	6
9. PACKING.....	6

1. SCOPE

THE SPECS FOR GM-050200 MODEL

The purpose of the document is to specify the functional requirements of a 10W switching power supply .

OTHER COUNTRIES PLUGS ARE AVAILABLE INCLUDING : UL,CCC,VDE,SAA,BS,KETI,
PSE compatible to DC plug and other specialized plugs 3.5*1.35,4.0*1.7,5.5*2.5,6.5*3.0,3.5 Stereo .
(10mm in length if not specified)

2. INPUT CHARACTERISTICS:

2.1 Input Voltage:

Nominal Voltage:100-240Vac

Variation Range:90-264Vac

2.2 Input Frequency:

Nominal Frequency:50-60Hz

Variation Frequency:47-63Hz

2.3 Input Current:

0.5Arms max At any input voltage and rated, DC output rated load.

2.4 Inrush Current:

30Amps Max. Cold start at 240Vac input, with rated load and 25°C ambient.

2.5 Ac Leakage Current:

0.25mA Max At 240Vac input.

3. OUTPUT CHARACTERISTICS

3.1 Power Output;

<u>Voltage</u>	<u>Min. Load</u>	<u>Max. Load</u>	<u>Peak</u>	<u>Output Power</u>
+5.0Vdc	0A	2.0A	2.0-5.0A	10W

3.2 Combined Load/Line Regulation:

<u>Voltage</u>	<u>Min. Voltage</u>	<u>Max. Voltage</u>	<u>Line Regulation</u>	<u>Load Regulation</u>
+5.0Vdc	5.0V	5.4V	±3%	±8%

3.3 Ripple And Noise:

The ripple and noise are as follows when measure with Max. Bandwidth of 20MHz and Parallel 4.7uF/0.1uF,crossed connected at testing point.

<u>Voltage</u>	<u>Ripple And Noise(Max.)</u>
+5.0Vdc	100mVp-p

3.4 Turn On Delay Time:

2 second Max. At 115Vac input and output Max. Load.

3.5 Rise Time:

40mS Max. At 115Vac input and output Max. Load.

3.6 Hold Up Time:

5mS Min. At 115Vac input and output Max. Load.

3.7 Efficiency:

69%Min.At 100Vac input and output Max. Load.

68%Min.At 240Vac input and output Max. Load.

3.8 Overshoot:

15%Max.When power supply at turn on or turn off.

4. PROTECTION REQUIREMENT:

4.1 Short Circuit Protection:

The power supply will be auto recovered when short circuit faults remove.

4.2 Over current Protection:

The power supply will be auto recovered when over current faults remove.

4.3 Over Voltage Protection:

The power supply will not be auto recovered when faults remove.

5. ENVIRONMENTAL REQUIREMET:

5.1 Operating Temperature:

0°Cto40°C,Full load Normal operation.

5.2 Storage Temperature:-20°Cto85°C, (With package).

5.3 Relative Humidity:

5%(0°C)~90%(40°C)RH,72Hrs,Full load Normal operating.

5.4 Vibration:

1、 Operating: IEC 721-3-3 3M3

5~9Hz,A=1.5mm (9~200Hz,Acceleration 5m/s²)

2、 Transportation): IEC 721-3-2 2M2

5-9Hz, A=3.5mm

9~200Hz,Acceleration=5m/S²

200~500HZ, Acceleration=15m/S²

3、 Axes,10 cycles per axis.

No permanent damage may occur during testing.

The product has to restore its original situation after power off/on.)

5.5 Dropping Packed:

1 corner,3 edges, and 6 surfaces

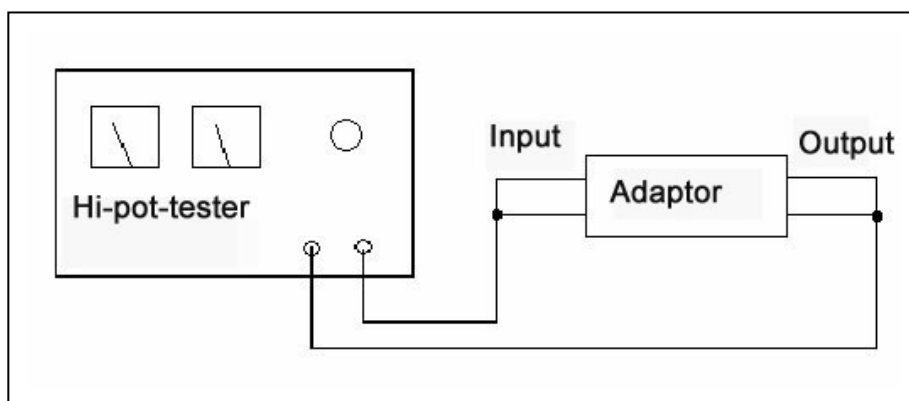
Height:76cm

6. SAFETY AND EMC REQUIREMENT:

6.1 SAFETY comply :UL, FCC, CUL, ROHS standard.

6.2 DIELECTRIC STRENGTH:

Primary to secondary: 4242Vdc/5mA/60s.



7. MECHANICAL REQUIREMENT:

7.1 Enclosure:

Cover size:L78*W44*H29mm

The power supply size L: L78*W44*H29mm



7.2 Input Connector:

7.3 DC cable

AWM 2464 20AWG*2C,VW-1,80°C,FT1,300V, length 1.5M,

DC plug:5.5 X 2.1X 10mm, center: “+” SR4x7

without magnetic ring, DC plug5.5 X2.1 X 10mm, In+Out-.

8. LABEL:



black words with white background

Material: 肖银龙

Endure heat above110°C

Thickness:0.12mm

3*RI±0.1mm

3*RI±0.1mm

Angle 2.5mm

9. PACKING :

White box (size:80*30*95mm)

APPROVAL :

CHECK:

DESIGN: